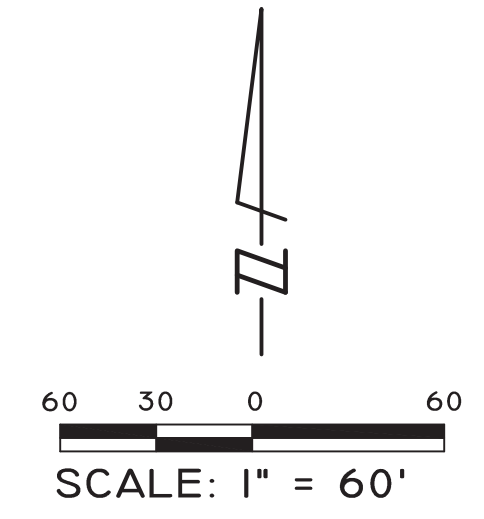
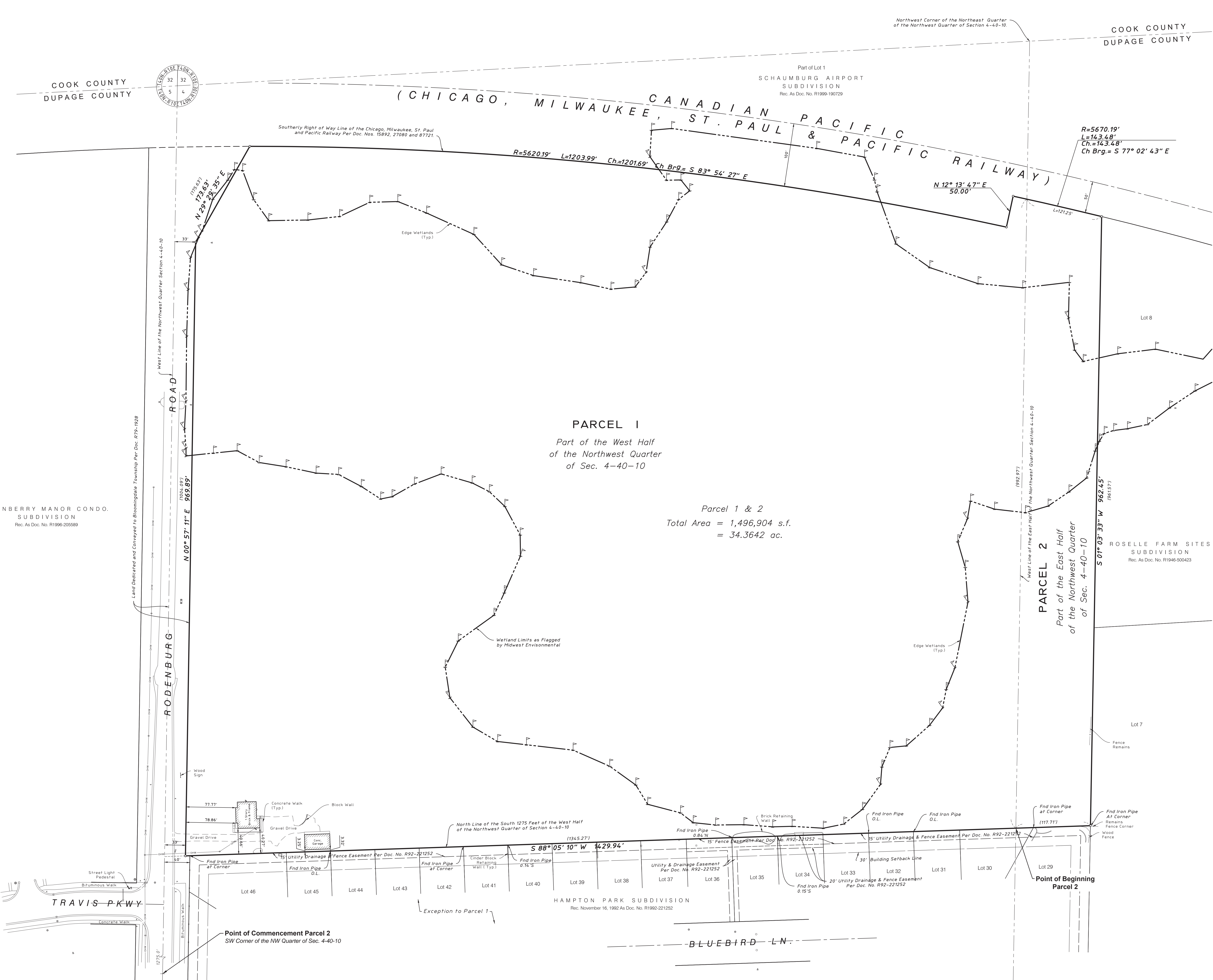


P.I.N. 02-04-101-015  
P.I.N. 02-04-101-016

# PLAT OF SURVEY



- LEGEND**
- Manhole
  - Catch Basin
  - Inlet
  - Flared End Section
  - Headwall
  - Storm Sewer
  - Sanitary Sewer
  - Water Main
  - Fire Hydrant
  - Valve Vault
  - Light Pole
  - Light Pole With Mast Arm
  - Hand Hole
  - Fence
  - Overhead Utility Line
  - Utility Pole
  - Curb & Gutter
  - Depressed Curb
  - Wetland Flag
  - Wetland

**LEGAL DESCRIPTION**

**PARCEL 1:**  
THE WEST HALF OF THE NORTHWEST QUARTER SOUTH OF THE RAILROAD (EXCEPT THE SOUTH 1275 FEET) OF SECTION 4, TOWNSHIP 40 NORTH, RANGE 10, EAST OF THE THIRD PRINCIPAL MERIDIAN, IN DUPAGE COUNTY, ILLINOIS.

**PARCEL 2:**  
THAT PART OF THE EAST HALF OF THE NORTHWEST QUARTER OF SECTION 4, TOWNSHIP 40 NORTH, RANGE 10, EAST OF THE THIRD PRINCIPAL MERIDIAN, DESCRIBED AS FOLLOWS: COMMENCING AT THE SOUTHWEST CORNER OF SAID NORTHWEST QUARTER; THENCE, NORTHERLY ALONG THE WESTLINE OF SAID NORTHWEST QUARTER, A DISTANCE OF 1275.0 FEET TO THE NORTH LINE OF THE SOUTH 1275.0 FEET OF THE WEST HALF OF SAID NORTHWEST QUARTER; THENCE EASTERLY ALONG SAID NORTH LINE, A DISTANCE OF 1345.27 FEET TO THE WEST LINE OF THE EAST HALF OF SAID NORTHWEST QUARTER FOR THE POINT OF BEGINNING; THENCE EASTERLY ALONG THE PROLONGATION OF THE LAST DESCRIBED COURSE, A DISTANCE OF 117.71 FEET TO THE WEST LINE OF ROSELLE FARM SITES RECORDED AS DOCUMENT 500423; THENCE NORTHERLY ALONG SAID WEST LINE, BEING A LINE, THAT FORMS AN ANGLE OF 86 DEGREES 56 MINUTES 53 SECONDS TO THE LEFT WITH THE PROLONGATION OF THE LAST, DESCRIBED COURSE, A DISTANCE OF 961.57 FEET TO THE SOUTHERLY RIGHT OF WAY LINE OF THE CHICAGO, MILWAUKEE, ST. PAUL AND PACIFIC RAILWAY; THENCE NORTHWESTERLY ALONG SAID SOUTHERLY RIGHT OF WAY LINE, BEING ALONG A CURVE TO THE LEFT HAVING A RADIUS OF 3670.19 FEET, A DISTANCE OF 121.25 FEET TO THE WEST LINE OF THE EAST HALF OF THE NORTHWEST QUARTER OF SECTION 4 AS AFORESAID; THENCE SOUTHERLY ALONG SAID WEST LINE A DISTANCE OF 992.97 FEET TO THE POINT OF BEGINNING, IN DUPAGE COUNTY, ILLINOIS.

- Surveyor's Notes:**
- Field work was completed on November 18, 2020.
  - The Horizontal coordinates and basis of bearing shown hereon are based on NAD 83(2012) Illinois East Zone 1201 State Plane Coordinates as referenced from Kara Company's RTK Network.
  - Reference was made to Alta Commitment for Title Insurance by Chicago Insurance Title Commitment Number 20GNW515101RM Revision 1 dated January 17, 2020.
  - Utility information shown hereon is based upon field measurements, available records. Information from field data is limited to that which is visible and can be measured. This survey does not exclude the possibility of the existence of other underground utilities and/or structures. Record information is based upon data collected from both public and private sources. The completeness and/or accuracy of these records cannot be guaranteed, except for those items that can be verified by field measurement. Prior to any excavation contact J.U.L.I.E. (1-800-892-0123).

State of Illinois )  
County of Cook ) SS:  
This professional service conforms to the current Illinois minimum standards for a boundary survey.  
Schauburg, Illinois, December 4, 2020  
By: *[Signature]*  
Illinois Professional Land Surveyor No. 3695

Prepared For: Lexington Project No. 19-202

**HAEGER ENGINEERING**  
consulting engineers • land surveyors

100 East State Parkway, Schaumburg, IL 60173  
Tel: 847.394.6600 Fax: 847.394.6608  
Illinois Professional Design Firm License No. 184.003152  
www.haegerengineering.com

EXPIRES 11-30-22