



**AGENDA ITEM # 7E**

**AGENDA ITEM EXECUTIVE SUMMARY**

**Village Board Meeting**

**January 25, 2021**

**Item Title: Purchase of Public Works Vehicle – Large Dump Truck**

**Staff Contact: Karen R. Young, P.E. Public Works Director**

**VILLAGE BOARD ACTION**

**Adopt a resolution authorizing the purchase of a 2021 Freightliner dump truck from TransChicago Truck Group in the amount of \$180,680 through the Joint Purchasing Cooperative Sourcewell.**

**Executive Summary:**

The 2021 budget includes \$185,000 for the purchase of a large dump truck in the Public Works Department, which is an addition to the snow plowing fleet. This vehicle was approved for purchase in 2020, with the contract being canceled due to COVID budget reductions. TransChicago Truck Group has held their pricing for the 2021 purchase at the 2020 bid price.

The Village has historically been divided up into five plowing areas. Four of the areas are plowed by our single axle dump trucks and the fifth area was plowed by the Water Division tandem axle dump, which caused many operational challenges. The tandem axle is used on all water main breaks, and therefore cannot remain set up for snow operations. In addition, due to the size of the tandem axle it has poor turning radius which puts the plow operator at a disadvantage negotiating single passes in tight areas and courts.

A few years ago Public Works began a pilot program to increase the efficiency of snow plow operations. As the Village replaced front line plow trucks Public Works would hold off on selling the old truck until the following spring. This allowed the opportunity to test the concept of utilizing five large single axle dump trucks permanently dedicated to plowing in the winter. As anticipated, utilizing five single axle dump trucks with the same capabilities made things more efficient for the operators and allowed for uniform expectations in all snow plow routes.

In 2019, the Village replaced the last old generation single axle dump truck with the new generation. This request would provide for the 5<sup>th</sup> new large single axle dump truck for the snow fleet. The proposed replacement dump truck is a 2021 Freightliner 108SD with a nose plow, underbelly plow, salt spreader, and a pre-wetting brine system. This vehicle is available through the Joint Purchasing Program with SourceWell (Contract No.

081716). Staff recommends authorizing the purchase of a dump truck from TransChicago Truck Group in the amount of \$180,680, which includes cab, chassis and snow equipment.

**Implications:**

**Is this item budgeted?** Yes. The FY 2021 Budget includes \$185,000 for the replacement of the dump truck and there are sufficient funds available in account Equipment Replacement Fund (2340550-65120).

**Any other implications to be considered?** Staff anticipates delivery in the fall of 2021.

**Attachments:**

Resolution

Proposal from TransChicago Truck Group

**RESOLUTION NO. 2021-**

**A RESOLUTION AUTHORIZING THE PURCHASE OF A  
2021 FREIGHTLINER DUMP TRUCK FROM TRANSCHICAGO TRUCK GROUP IN  
THE AMOUNT OF \$180,680 THROUGH THE JOINT PURCHASING COOPERATIVE  
SOURCEWELL**

WHEREAS, pursuant to the Illinois Governmental Joint Purchasing Act (30 ILCS 525/1, et. seq), the Village may purchase personal property, supplies, and services jointing with other governmental units; and Illinois State Statues authorize municipal governments to jointly purchase supplies; and

WHEREAS, the Sourcewell Purchasing Cooperative (SPC) has publicly and competitively bid for a contract for dump trucks; and

WHEREAS, the SPC awarded a contract to TransChicago Truck Group for dump trucks and has made the SPC Contract available to other public entities; and

WHEREAS, the corporate authorities of the Village of Roselle deem it in the best interests of the Village to purchase a Freightliner Dump Truck on the SPC contract; and

NOW, THEREFORE, be it resolved by the Mayor and Board of Trustees of the Village of Roselle that:

- a) The purchase of a 2021 Freightliner dump from Transchicago Truck Group in the amount of \$180,680 as set forth in the itemized quotation sheet, that is hereby attached hereto and incorporated as fully set forth as Exhibit A, is hereby authorized (the Purchase); and
- b) The Mayor is hereby authorized to sign and, the Village Clerk is hereby directed to attest, to any contractual documents necessary to accomplish the Purchase; and
- c) Village staff is authorized to undertake any and all other tasks necessary, or in furtherance of, completion of the Purchase transaction.

ADOPTED this \_\_\_\_ day of \_\_\_\_\_, 2021

AYES:

NAYS:

ABSTAIN:

ABSENT:

\_\_\_\_\_  
Andrew J. Maglio, Mayor

ATTEST:

\_\_\_\_\_  
Patricia Burns, Village Clerk

**Prepared for:**  
Village of Roselle  
474 Congress Circle North  
Roselle, IL 60172  
Phone: 630-671-2373

**Prepared by:**  
Duane Schaefer  
TRANSHICAGO TRUCK  
GROUP  
776 N. YORK ROAD  
ELMHURST, IL 60126  
Mobile:  
E-Mail:  
duaneschaefer@transchicago.com

*A proposal for*  
**Village of Roselle**  
**Using SourceWell Contract # 081716**  
**Customer Draft # 3**

*Prepared by*  
**TRANSHICAGO TRUCK GROUP**  
*Duane Schaefer*

*Jan 20, 2021*

**Freightliner 108SD**



Components shown may not reflect all spec'd options and are not to scale

Application Version 11.4.006  
Data Version PRL-23D.001  
21 JAN Plow 37K SA



01/20/2021 6:34 PM

Page 1 of 23

Freightliner reserves the right to change specifications, prices, and weights, without notice.

Prepared for:  
 Village of Roselle  
 474 Congress Circle North  
 Roselle, IL 60172  
 Phone: 630-671-2373

Prepared by:  
 Duane Schaefer  
 TRANSCHICAGO TRUCK  
 GROUP  
 776 N. YORK ROAD  
 ELMHURST, IL 60126  
 Mobile:  
 E-Mail:  
 duaneschaefer@transchicago.com

## S P E C I F I C A T I O N   P R O P O S A L

Description	Weight Front	Weight Rear
<b>Price Level</b>		
SD PRL-23D (EFF:01/21/20)		
<b>Data Version</b>		
SPECPRO21 DATA RELEASE VER 001		
<b>Vehicle Configuration</b>		
108SD CONVENTIONAL CHASSIS	6,829	3,748
2022 MODEL YEAR SPECIFIED		
SET BACK AXLE - TRUCK		
STRAIGHT TRUCK PROVISION		
LH PRIMARY STEERING LOCATION		
<b>General Service</b>		
TRUCK CONFIGURATION		
DOMICILED, USA (EXCLUDING CALIFORNIA AND CARB OPT-IN STATES)		
CONSTRUCTION SERVICE		
CONSTRUCTION BUSINESS SEGMENT		
DIRT/SAND/ROCK COMMODITY		
TERRAIN/DUTY: 100% (ALL) OF THE TIME, IN TRANSIT, IS SPENT ON PAVED ROADS		
MAXIMUM 8% EXPECTED GRADE		
SMOOTH CONCRETE OR ASPHALT PAVEMENT - MOST SEVERE IN-TRANSIT (BETWEEN SITES) ROAD SURFACE		
FREIGHTLINER LEVEL II WARRANTY		
EXPECTED FRONT AXLE(S) LOAD : 14600.0 lbs		
EXPECTED REAR DRIVE AXLE(S) LOAD : 23000.0 lbs		
EXPECTED GROSS VEHICLE WEIGHT CAPACITY : 37600.0 lbs		
<b>Truck Service</b>		

Application Version 11.4.006  
 Data Version PRL-23D.001  
 21 JAN Plow 37K SA



01/20/2021 6:34 PM

Page 2 of 23

**Prepared for:**  
 Village of Roselle  
 474 Congress Circle North  
 Roselle, IL 60172  
 Phone: 630-671-2373

**Prepared by:**  
 Duane Schaefer  
 TRANSSHICAGO TRUCK  
 GROUP  
 776 N. YORK ROAD  
 ELMHURST, IL 60126  
 Mobile:  
 E-Mail:  
 duaneschaefer@transchicago.com

Description	Weight Front	Weight Rear
BELLY PLOW BODY WITH HIGH GROUND CLEARANCE EXPECTED TRUCK BODY LENGTH : 11.0 ft MONROE TRUCK EQUIPMENT		
<b>Engine</b>		
CUM L9 270 HP @ 2200 RPM; 2200 GOV RPM, 860 LB-FT @ 1200 RPM		
<b>Electronic Parameters</b>		
65 MPH ROAD SPEED LIMIT CRUISE CONTROL SPEED LIMIT SAME AS ROAD SPEED LIMIT PTO MODE ENGINE RPM LIMIT - 1100 RPM PTO MODE BRAKE OVERRIDE - SERVICE BRAKE APPLIED PTO RPM WITH CRUISE SET SWITCH - 700 RPM PTO RPM WITH CRUISE RESUME SWITCH - 800 RPM PTO MODE CANCEL VEHICLE SPEED - 5 MPH PTO GOVERNOR RAMP RATE - 250 RPM PER SECOND PTO MINIMUM RPM - 700 REGEN INHIBIT SPEED THRESHOLD - 5 MPH		
<b>Engine Equipment</b>		
2016 ONBOARD DIAGNOSTICS/2010 EPA/CARB/GHG21 CONFIGURATION NO 2008 CARB EMISSION CERTIFICATION STANDARD OIL PAN ENGINE MOUNTED OIL CHECK AND FILL SIDE OF HOOD AIR INTAKE WITH FIREWALL MOUNTED DONALDSON AIR CLEANER AND INSIDE/OUTSIDE AIR WITH SNOW DOOR DR 12V 160 AMP 28-SI QUADRAMOUNT PAD ALTERNATOR WITH REMOTE BATTERY VOLT SENSE (2) DTNA GENUINE, FLOODED STARTING, MIN 2000CCA, 370RC, THREADED STUD BATTERIES BATTERY BOX FRAME MOUNTED STANDARD BATTERY JUMPERS	10	



**Prepared for:**  
 Village of Roselle  
 474 Congress Circle North  
 Roselle, IL 60172  
 Phone: 630-671-2373

**Prepared by:**  
 Duane Schaefer  
 TRANSCHICAGO TRUCK  
 GROUP  
 776 N. YORK ROAD  
 ELMHURST, IL 60126  
 Mobile:  
 E-Mail:  
 duaneschaefer@transchicago.com

Description	Weight Front	Weight Rear
LH BATTERY BOX MOUNTED AS FAR AFT AS POSSIBLE, NO GREATER THAN 60 INCHES BACK OF CAB		
WIRE GROUND RETURN FOR BATTERY CABLES WITH ADDITIONAL FRAME GROUND RETURN		
NON-POLISHED BATTERY BOX COVER		
CAB AUXILIARY POWER CABLE	5	
POSITIVE AND NEGATIVE POSTS FOR JUMPSTART LOCATED ON FRAME NEXT TO STARTER	2	
CUMMINS TURBOCHARGED 18.7 CFM AIR COMPRESSOR WITH INTERNAL SAFETY VALVE		
ELECTRONIC ENGINE INTEGRAL WARNING AND DERATE PROTECTION SYSTEM		
CUMMINS ENGINE INTEGRAL BRAKE WITH VARIABLE GEOMETRY TURBO ON/OFF	20	
RH OUTBOARD UNDER STEP MOUNTED HORIZONTAL AFTERTREATMENT SYSTEM ASSEMBLY WITH RH B-PILLAR MOUNTED VERTICAL TAILPIPE	30	25
ENGINE AFTERTREATMENT DEVICE, AUTOMATIC OVER THE ROAD REGENERATION AND DASH MOUNTED REGENERATION REQUEST SWITCH		
10 FOOT 06 INCH (126 INCH+0/-5.9 INCH) EXHAUST SYSTEM HEIGHT		
RH CURVED VERTICAL TAILPIPE B-PILLAR MOUNTED ROUTED FROM STEP		
6 GALLON DIESEL EXHAUST FLUID TANK	-35	-10
100 PERCENT DIESEL EXHAUST FLUID FILL		
DIESEL EXHAUST FLUID PUMP MOUNTED AFT OF DIESEL EXHAUST FLUID TANK		
LH MEDIUM DUTY STANDARD DIESEL EXHAUST FLUID TANK LOCATION		
STANDARD DIESEL EXHAUST FLUID TANK CAP		
ALUMINUM AFTERTREATMENT DEVICE/MUFFLER/TAILPIPE SHIELD(S)		
HORTON DRIVEMASTER ADVANTAGE ON/OFF FAN DRIVE		
AUTOMATIC FAN CONTROL WITHOUT DASH SWITCH, NON ENGINE MOUNTED		
CUMMINS SPIN ON FUEL FILTER		
COMBINATION FULL FLOW/BYPASS OIL FILTER		
FLEETGUARD PLAIN COOLANT FILTER		



Prepared for:  
 Village of Roselle  
 474 Congress Circle North  
 Roselle, IL 60172  
 Phone: 630-671-2373

Prepared by:  
 Duane Schaefer  
 TRANSSHICAGO TRUCK  
 GROUP  
 776 N. YORK ROAD  
 ELMHURST, IL 60126  
 Mobile:  
 E-Mail:  
 duaneschaefer@transchicago.com

Description	Weight Front	Weight Rear
1115 SQUARE INCH ALUMINUM RADIATOR ANTIFREEZE TO -34F, OAT (NITRITE AND SILICATE FREE) EXTENDED LIFE COOLANT GATES BLUE STRIPE COOLANT HOSES OR EQUIVALENT CONSTANT TENSION HOSE CLAMPS FOR COOLANT HOSES RADIATOR DRAIN VALVE		
1310 ADAPTER FLANGE FOR FRONT PTO PROVISION	10	
ELECTRIC GRID AIR INTAKE WARMER DELCO 12V 38MT HD STARTER WITH INTEGRATED MAGNETIC SWITCH		

### Transmission

ALLISON 3000 RDS AUTOMATIC TRANSMISSION WITH PTO PROVISION

### Transmission Equipment

ALLISON VOCATIONAL PACKAGE 223 - AVAILABLE ON 3000/4000 PRODUCT FAMILIES WITH VOCATIONAL MODELS RDS, HS, MH AND TRV

ALLISON VOCATIONAL RATING FOR CONCRETE MIXER APPLICATIONS ONLY AVAILABLE WITH 3000 PRODUCT FAMILIES

PRIMARY MODE GEARS, LOWEST GEAR 1, START GEAR 1, HIGHEST GEAR 6, AVAILABLE FOR 3000/4000 PRODUCT FAMILIES ONLY

SECONDARY MODE GEARS, LOWEST GEAR 1, START GEAR 1, HIGHEST GEAR 6, AVAILABLE FOR 3000/4000 PRODUCT FAMILIES ONLY

S5 PERFORMANCE LIMITING PRIMARY SHIFT SCHEDULE, AVAILABLE FOR 3000/4000 PRODUCT FAMILIES ONLY

S5 PERFORMANCE LIMITING SECONDARY SHIFT SCHEDULE, AVAILABLE FOR 3000/4000 PRODUCT FAMILIES ONLY

2200 RPM PRIMARY MODE SHIFT SPEED

2200 RPM SECONDARY MODE SHIFT SPEED

FUEL SENSE 2.0 DISABLED - PERFORMANCE - TABLE BASED

DRIVER SWITCH INPUT - DEFAULT - NO SWITCHES





**Prepared for:**  
 Village of Roselle  
 474 Congress Circle North  
 Roselle, IL 60172  
 Phone: 630-671-2373

**Prepared by:**  
 Duane Schaefer  
 TRANSCHICAGO TRUCK  
 GROUP  
 776 N. YORK ROAD  
 ELMHURST, IL 60126  
 Mobile:  
 E-Mail:  
 duaneschaefer@transchicago.com

Description	Weight Front	Weight Rear
VEHICLE INTERFACE WIRING CONNECTOR WITHOUT BLUNT CUTS, AT BACK OF CAB ELECTRONIC TRANSMISSION CUSTOMER ACCESS CONNECTOR FIREWALL MOUNTED MAGNETIC PLUGS, ENGINE DRAIN, TRANSMISSION DRAIN, AXLE(S) FILL AND DRAIN PUSH BUTTON ELECTRONIC SHIFT CONTROL, DASH MOUNTED TRANSMISSION PROGNOSTICS - ENABLED 2013 WATER TO OIL TRANSMISSION COOLER, IN RADIATOR END TANK TRANSMISSION OIL CHECK AND FILL WITH ELECTRONIC OIL LEVEL CHECK SYNTHETIC TRANSMISSION FLUID (TES-295 COMPLIANT)		
<b>Front Axle and Equipment</b>		
DETROIT DA-F-16.0-5 16,000# FL1 71.0 KPI/3.74 DROP SINGLE FRONT AXLE	190	
MERITOR 16.5X6 Q+ CAST SPIDER CAM FRONT BRAKES, DOUBLE ANCHOR, FABRICATED SHOES	10	
NON-ASBESTOS FRONT BRAKE LINING CONMET CAST IRON FRONT BRAKE DRUMS FRONT BRAKE DUST SHIELDS	5	
FRONT OIL SEALS VENTED FRONT HUB CAPS WITH WINDOW, CENTER AND SIDE PLUGS - OIL STANDARD SPINDLE NUTS FOR ALL AXLES MERITOR AUTOMATIC FRONT SLACK ADJUSTERS STANDARD KING PIN BUSHINGS		
TRW TAS-85 POWER STEERING POWER STEERING PUMP	40	
2 QUART SEE THROUGH POWER STEERING RESERVOIR CURRENT AVAILABLE SYNTHETIC 75W-90 FRONT AXLE LUBE		
<b>Front Suspension</b>		
16,000# FLAT LEAF FRONT SUSPENSION	260	



Prepared for:  
 Village of Roselle  
 474 Congress Circle North  
 Roselle, IL 60172  
 Phone: 630-671-2373

Prepared by:  
 Duane Schaefer  
 TRANSCHICAGO TRUCK  
 GROUP  
 776 N. YORK ROAD  
 ELMHURST, IL 60126  
 Mobile:  
 E-Mail:  
 duaneschaefer@transchicago.com

Description	Weight Front	Weight Rear
GRAPHITE BRONZE BUSHINGS WITH SEALS - FRONT SUSPENSION		
NO FRONT SUSPENSION OPTIONS		
FRONT SUSPENSION WITH LEFT HAND OFFSET SHACKLE BRACKET	4	
FRONT SHOCK ABSORBERS		

### Rear Axle and Equipment

DETROIT DA-RS-23.0-4 23,000# R-SERIES SINGLE REAR AXLE		30
6.14 REAR AXLE RATIO		
IRON REAR AXLE CARRIER WITH STANDARD AXLE HOUSING		
MXL 17T MERITOR EXTENDED LUBE MAIN DRIVELINE WITH HALF ROUND YOKES	20	20
MERITOR 16.5X7 Q+ CAST SPIDER CAM REAR BRAKES, DOUBLE ANCHOR, FABRICATED SHOES		
NON-ASBESTOS REAR BRAKE LINING		
BRAKE CAMS AND CHAMBERS ON FORWARD SIDE OF DRIVE AXLE(S) WITH AUXILIARY SUPPORT BRACKETS		
CONMET CAST IRON REAR BRAKE DRUMS		10
REAR BRAKE DUST SHIELDS		5
REAR OIL SEALS		
WABCO TRISTOP D LONGSTROKE 1-DRIVE AXLE SPRING PARKING CHAMBERS		
MERITOR AUTOMATIC REAR SLACK ADJUSTERS		
CURRENT AVAILABLE SYNTHETIC 75W-90 REAR AXLE LUBE		
STANDARD REAR AXLE BREATHER(S)		

### Rear Suspension

AIRLINER 23,000# REAR SUSPENSION WITH CHAIN CLEARANCE		110
AIRLINER HIGH POSITION RIDE HEIGHT		
STANDARD AXLE SEATS IN AXLE CLAMP GROUP		
MANUAL DUMP VALVE FOR AIR SUSPENSION WITH GAUGE		
INDICATOR LIGHT FOR EACH REAR SUSPENSION CONTROL SWITCH		



Prepared for:  
 Village of Roselle  
 474 Congress Circle North  
 Roselle, IL 60172  
 Phone: 630-671-2373

Prepared by:  
 Duane Schaefer  
 TRANSSHICAGO TRUCK  
 GROUP  
 776 N. YORK ROAD  
 ELMHURST, IL 60126  
 Mobile:  
 E-Mail:  
 duaneschaefer@transchicago.com

Description	Weight Front	Weight Rear
DUAL AIR REAR SUSPENSION LEVELING VALVES		
TRANSVERSE CONTROL RODS		
REAR SHOCK ABSORBERS - ONE AXLE (AIR RIDE SUSPENSION)		
<b>Brake System</b>		
WABCO 4S/4M ABS		
REINFORCED NYLON, FABRIC BRAID AND WIRE BRAID CHASSIS AIR LINES		
FIBER BRAID PARKING BRAKE HOSE		
STANDARD BRAKE SYSTEM VALVES		
STANDARD AIR SYSTEM PRESSURE PROTECTION SYSTEM		
STD U.S. FRONT BRAKE VALVE		
RELAY VALVE WITH 5-8 PSI CRACK PRESSURE, NO REAR PROPORTIONING VALVE		
WABCO SYSTEM SAVER HP WITH INTEGRAL AIR GOVERNOR AND HEATER		
AIR DRYER MOUNTED INBOARD ON RH RAIL		
STEEL AIR TANKS MOUNTED FOR MAX GROUND CLEARANCE, (BELLY PLOW - AA3-073)		
BW DV-2 AUTO DRAIN VALVE WITH HEATER TO WET TANK; DRAIN VALVE CABLES ON ALL OTHER TANKS		
<b>Trailer Connections</b>		
PRIMARY CONNECTOR/RECEPTACLE WIRED FOR COMBINATION STOP/TURN, CENTER PIN POWERED THROUGH IGNITION WITH STOP SIGNAL PREWIRE PACKAGE		
SAE J560 7-WAY PRIMARY CABLE RECEPTACLE MOUNTED END OF FRAME WITH 36" ADDITIONAL CABLE AT REAR CROSSMEMBER	5	5
UPGRADED CHASSIS MULTIPLEXING UNIT		
<b>Wheelbase &amp; Frame</b>		
4200MM (165 INCH) WHEELBASE		
7/16X3-9/16X11-1/8 INCH STEEL FRAME (11.1MMX282.6MM/0.437X11.13 INCH) 120KSI	170	150
BODY COMPANY INSTALLED ADDITIONAL FRONT FRAME REINFORCEMENT FOR SNOW PLOW		
2000MM (79 INCH) REAR FRAME OVERHANG		



Prepared for:  
 Village of Roselle  
 474 Congress Circle North  
 Roselle, IL 60172  
 Phone: 630-671-2373

Prepared by:  
 Duane Schaefer  
 TRANSCHICAGO TRUCK  
 GROUP  
 776 N. YORK ROAD  
 ELMHURST, IL 60126  
 Mobile:  
 E-Mail:  
 duaneschaefer@transchicago.com

Description	Weight Front	Weight Rear
FRAME OVERHANG RANGE: 71 INCH TO 80 INCH	-20	100
24 INCH INTEGRAL FRONT FRAME EXTENSION	140	-20
CALC'D BACK OF CAB TO REAR SUSP C/L (CA) : 99.8 in		
CALCULATED EFFECTIVE BACK OF CAB TO REAR SUSPENSION C/L (CA) : 96.8 in		
CALC'D FRAME LENGTH - OVERALL : 309.21		
CALCULATED FRAME SPACE LH SIDE : 18.53 in		
CALCULATED FRAME SPACE RH SIDE : 127.76 in		
CALC'D SPACE AVAILABLE FOR DECKPLATE : 99.45 in		
SQUARE END OF FRAME		
FRONT CLOSING CROSSMEMBER		
LIGHTWEIGHT HEAVY DUTY ALUMINUM ENGINE CROSSMEMBER	-12	
STANDARD MIDSHIP #1 CROSSMEMBER(S)		
STANDARD REARMOIST CROSSMEMBER		
HEAVY DUTY SUSPENSION CROSSMEMBER		30
<b>Chassis Equipment</b>		
14 INCH PAINTED STEEL BUMPER	20	
BUMPER MOUNTING FOR SINGLE LICENSE PLATE		
GRADE 8 THREADED HEX HEADED FRAME FASTENERS		
<b>Fuel Tanks</b>		
80 GALLON/302 LITER RECTANGULAR ALUMINUM FUEL TANK - LH	25	
RECTANGULAR FUEL TANK(S)		
PLAIN ALUMINUM/PAINTED STEEL FUEL/HYDRAULIC TANK(S) WITH PAINTED BANDS		
FUEL TANK(S) FORWARD - RAISED MOUNTING		
PLAIN STEP FINISH		
FUEL TANK CAP(S)		
DETROIT FUEL/WATER SEPARATOR WITH WATER IN FUEL SENSOR, HAND PRIMER AND 12 VOLT PREHEATER"	-5	
EQUIFLO INBOARD FUEL SYSTEM		



Prepared for:  
 Village of Roselle  
 474 Congress Circle North  
 Roselle, IL 60172  
 Phone: 630-671-2373

Prepared by:  
 Duane Schaefer  
 TRANSSHICAGO TRUCK  
 GROUP  
 776 N. YORK ROAD  
 ELMHURST, IL 60126  
 Mobile:  
 E-Mail:  
 duaneschaefer@transchicago.com

Description	Weight Front	Weight Rear
HIGH TEMPERATURE REINFORCED NYLON FUEL LINE		
<b>Tires</b>		
CONTINENTAL HSC1 12R22.5 16 PLY RADIAL FRONT TIRES	50	
CONTINENTAL HDR2+ 11R22.5 14 PLY RADIAL REAR TIRES		23
<b>Hubs</b>		
CONMET PRESET PLUS PREMIUM IRON FRONT HUBS		
CONMET PRESET PLUS PREMIUM IRON REAR HUBS		
<b>Wheels</b>		
ACCURIDE 28828 22.5X8.25 10-HUB PILOT 6.18 INSET 2-HAND HD STEEL DISC FRONT WHEELS	26	
ACCURIDE 28828 22.5X8.25 10-HUB PILOT 2-HAND HD STEEL DISC REAR WHEELS		52
<b>Cab Exterior</b>		
108 INCH BBC FLAT ROOF ALUMINUM CONVENTIONAL CAB		
AIR CAB MOUNTING		
CAB ROOF REINFORCEMENTS FOR ROOF MOUNTED COMPONENTS	2	
NONREMOVABLE BUGSCREEN MOUNTED BEHIND GRILLE		
SHORT FENDER WITH MUDFLAP		
BOLT-ON MOLDED FLEXIBLE FENDER EXTENSIONS	10	
LH AND RH GRAB HANDLES		
STATIONARY BLACK GRILLE		
BLACK HOOD MOUNTED AIR INTAKE GRILLE		
FIBERGLASS HOOD		
SINGLE 14 INCH ROUND HADLEY AIR HORN UNDER LH DECK		
DUAL ELECTRIC HORNS		
SINGLE HORN SHIELD		
DOOR LOCKS AND IGNITION SWITCH KEYED THE SAME		
KEY QUANTITY OF 4		
REAR LICENSE PLATE MOUNT END OF FRAME		



**Prepared for:**  
 Village of Roselle  
 474 Congress Circle North  
 Roselle, IL 60172  
 Phone: 630-671-2373

**Prepared by:**  
 Duane Schaefer  
 TRANSCHICAGO TRUCK  
 GROUP  
 776 N. YORK ROAD  
 ELMHURST, IL 60126  
 Mobile:  
 E-Mail:  
 duaneschaefer@transchicago.com

Description	Weight Front	Weight Rear
HALOGEN COMPOSITE HEADLAMPS WITH BLACK BEZELS		
LED AERODYNAMIC MARKER LIGHTS		
INTEGRAL STOP/TAIL/BACKUP LIGHTS		
STANDARD FRONT TURN SIGNAL LAMPS		
DUAL WEST COAST BRIGHT FINISH HEATED MIRRORS WITH LH AND RH REMOTE		
DOOR MOUNTED MIRRORS		
102 INCH EQUIPMENT WIDTH		
LH AND RH 8 INCH BRIGHT FINISH CONVEX MIRRORS MOUNTED UNDER PRIMARY MIRRORS		
STANDARD SIDE/REAR REFLECTORS		
RH AFTERTREATMENT SYSTEM CAB ACCESS WITH POLISHED DIAMOND PLATE COVER		
2-STAGE ELECTRIC HORN AND HAZARD LAMP ALERT CONTROLLED BY PARTICULATE FILTER REGENERATION REQUIRED STATUS		
63X14 INCH TINTED REAR WINDOW		
TINTED DOOR GLASS LH AND RH WITH TINTED OPERATING WING WINDOWS		
RH AND LH ELECTRIC POWERED WINDOWS, PASSENGER SWITCHES ON DOOR(S)	4	
1-PIECE BONDED HEATED WIPER PARK SOLAR GREEN GLASS WINDSHIELD		
8 LITER (2 GAL) WINDSHIELD WASHER RESERVOIR, CAB MOUNTED, WITHOUT FLUID LEVEL INDICATOR		

### Cab Interior

OPAL GRAY VINYL INTERIOR  
 MOLDED PLASTIC DOOR PANEL  
 MOLDED PLASTIC DOOR PANEL  
 BLACK MATS WITH SINGLE INSULATION  
 NO DASH MOUNTED ASH TRAYS AND LIGHTER  
 FORWARD ROOF MOUNTED CONSOLE WITH UPPER STORAGE COMPARTMENTS WITHOUT NETTING  
 IN DASH STORAGE BIN  
 (2) CUP HOLDERS LH AND RH DASH  
 GRAY/CHARCOAL FLAT DASH  
 SMART SWITCH EXPANSION MODULE



Prepared for:  
 Village of Roselle  
 474 Congress Circle North  
 Roselle, IL 60172  
 Phone: 630-671-2373

Prepared by:  
 Duane Schaefer  
 TRANSCHICAGO TRUCK  
 GROUP  
 776 N. YORK ROAD  
 ELMHURST, IL 60126  
 Mobile:  
 E-Mail:  
 duaneschaefer@transchicago.com

Description	Weight Front	Weight Rear
HEATER, DEFROSTER AND AIR CONDITIONER		
STANDARD HVAC DUCTING WITH SNOW SHIELD FOR FRESH AIR INTAKE		
MAIN HVAC CONTROLS WITH RECIRCULATION SWITCH		
STANDARD HEATER PLUMBING WITH BALL SHUTOFF VALVES		
VALEO HEAVY DUTY A/C REFRIGERANT COMPRESSOR		
BINARY CONTROL, R-134A		
STANDARD INSULATION		
SOLID-STATE CIRCUIT PROTECTION AND FUSES		
12V NEGATIVE GROUND ELECTRICAL SYSTEM		
DOME DOOR ACTIVATED LH AND RH, DUAL READING LIGHTS, FORWARD CAB ROOF		
LH AND RH ELECTRIC DOOR LOCKS		
(2) 12 VOLT POWER RECEPTACLES MOUNTED IN DASH		
PREMIUM HIGH BACK AIR SUSPENSION DRIVER SEAT WITH 3 CHAMBER AIR LUMBAR, INTEGRATED CUSHION EXTENSION, FORWARD AND REAR CUSHION TILT, ADJUSTABLE SHOCK ABSORBER	70	
PREMIUM HIGH BACK AIR SUSPENSION PASSENGER SEAT WITH 3 CHAMBER AIR LUMBAR, INTEGRATED CUSHION EXTENSION, FORWARD AND REAR CUSHION TILT, ADJUSTABLE SHOCK ABSORBER	60	20
DUAL DRIVER AND PASSENGER SEAT ARMRESTS	8	
LH AND RH INTEGRAL DOOR PANEL ARMRESTS		
VINYL WITH VINYL INSERT DRIVER SEAT		
VINYL WITH VINYL INSERT PASSENGER SEAT		
BLACK SEAT BELTS		
ADJUSTABLE TILT AND TELESCOPING STEERING COLUMN	10	
4-SPOKE 18 INCH (450MM) STEERING WHEEL		
DRIVER AND PASSENGER INTERIOR SUN VISORS		

### Instruments & Controls

GRAY DRIVER INSTRUMENT PANEL

Application Version 11.4.006  
 Data Version PRL-23D.001  
 21 JAN Plow 37K SA



01/20/2021 6:34 PM

Page 12 of 23

Prepared for:  
 Village of Roselle  
 474 Congress Circle North  
 Roselle, IL 60172  
 Phone: 630-671-2373

Prepared by:  
 Duane Schaefer  
 TRANSSHICAGO TRUCK  
 GROUP  
 776 N. YORK ROAD  
 ELMHURST, IL 60126  
 Mobile:  
 E-Mail:  
 duaneschaefer@transchicago.com

Description	Weight Front	Weight Rear
GRAY CENTER INSTRUMENT PANEL		
BLACK GAUGE BEZELS		
LOW AIR PRESSURE INDICATOR LIGHT AND AUDIBLE ALARM		
(1) SINGLE BRAKE APPLICATION AIR GAUGE		
2 INCH PRIMARY AND SECONDARY AIR PRESSURE GAUGES		
DASH MOUNTED AIR RESTRICTION INDICATOR WITH GRADUATIONS		
ELECTRONIC CRUISE CONTROL WITH SWITCHES IN LH SWITCH PANEL		
KEY OPERATED IGNITION SWITCH AND INTEGRAL START POSITION; 4 POSITION OFF/RUN/START/ACCESSORY		
ICU3S, 132X48 DISPLAY WITH DIAGNOSTICS, 28 LED WARNING LAMPS AND DATA LINKED		
HEAVY DUTY ONBOARD DIAGNOSTICS INTERFACE CONNECTOR LOCATED BELOW LH DASH		
2 INCH ELECTRIC FUEL GAUGE		
PROGRAMMABLE RPM CONTROL - ELECTRONIC ENGINE		
ELECTRICAL ENGINE COOLANT TEMPERATURE GAUGE		
2 INCH TRANSMISSION OIL TEMPERATURE GAUGE		
ENGINE AND TRIP HOUR METERS INTEGRAL WITHIN DRIVER DISPLAY		
ELECTRIC ENGINE OIL PRESSURE GAUGE		
OVERHEAD INSTRUMENT PANEL		
AM/FM/WB WORLD TUNER RADIO WITH AUXILIARY INPUT, J1939	10	
DASH MOUNTED RADIO		
(2) RADIO SPEAKERS IN CAB		
AM/FM ANTENNA MOUNTED ON FORWARD LH ROOF		
POWER AND GROUND WIRING PROVISION OVERHEAD		
CB WIRING ONLY TO ROOF/OVERHEAD CONSOLE; NO MOUNTING PROVISION		
ELECTRONIC MPH SPEEDOMETER WITH SECONDARY KPH SCALE, WITHOUT ODOMETER		





**Prepared for:**  
 Village of Roselle  
 474 Congress Circle North  
 Roselle, IL 60172  
 Phone: 630-671-2373

**Prepared by:**  
 Duane Schaefer  
 TRANSCHICAGO TRUCK  
 GROUP  
 776 N. YORK ROAD  
 ELMHURST, IL 60126  
 Mobile:  
 E-Mail:  
 duaneschaefer@transchicago.com

Description	Weight Front	Weight Rear
STANDARD VEHICLE SPEED SENSOR		
ELECTRONIC 3000 RPM TACHOMETER		
IGNITION SWITCH CONTROLLED ENGINE STOP		
SIX ON/OFF ROCKER SWITCHES IN THE DASH WITH INDICATOR LIGHTS; FOUR WIRE TO CHASSIS AT BACK OF CAB, TWO UNWIRED, LABEL ALL OPT		
DIGITAL VOLTAGE DISPLAY INTEGRAL WITH DRIVER DISPLAY		
SINGLE ELECTRIC WINDSHIELD WIPER MOTOR WITH DELAY		
MARKER LIGHT SWITCH INTEGRAL WITH HEADLIGHT SWITCH AND DUAL CONNECTORS AND SWITCH FOR CUSTOMER FURNISHED SNOW PLOW LIGHTS, LOW BEAMS OFF WITH HIGH BEAMS		
ONE VALVE PARKING BRAKE SYSTEM WITH WARNING INDICATOR		
SELF CANCELING TURN SIGNAL SWITCH WITH DIMMER, WASHER/WIPER AND HAZARD IN HANDLE		
INTEGRAL ELECTRONIC TURN SIGNAL FLASHER WITH HAZARD LAMPS OVERRIDING STOP LAMPS		

### Design

PAINT: ONE SOLID COLOR

### Color

CAB COLOR A: L2225EY CANDY APPLE RED ELITE EY  
 BLACK, HIGH SOLIDS POLYURETHANE CHASSIS PAINT  
 POWDER WHITE (N0006EA) FRONT WHEELS/RIMS (PKWHT21, TKWHT21, W, TW)  
 POWDER WHITE (N0006EA) REAR WHEELS/RIMS (PKWHT21, TKWHT21, W, TW)  
 STANDARD BLACK BUMPER PAINT  
 STANDARD E COAT/UNDERCOATING

### Certification / Compliance

U.S. FMVSS CERTIFICATION, EXCEPT SALES CABS AND GLIDER KITS

### Secondary Factory Options

CORPORATE PDI CENTER IN-SERVICE ONLY

Application Version 11.4.006  
 Data Version PRL-23D.001  
 21 JAN Plow 37K SA



01/20/2021 6:34 PM

Page 14 of 23

Prepared for:  
 Village of Roselle  
 474 Congress Circle North  
 Roselle, IL 60172  
 Phone: 630-671-2373

Prepared by:  
 Duane Schaefer  
 TRANSCHICAGO TRUCK  
 GROUP  
 776 N. YORK ROAD  
 ELMHURST, IL 60126  
 Mobile:  
 E-Mail:  
 duaneschaefer@transchicago.com

Description	Weight Front	Weight Rear
<b>Raw Performance Data</b>		
CALCULATED EFFECTIVE BACK OF CAB TO REAR SUSPENSION C/L (CA) :		96.8 in
CALC'D SPACE AVAILABLE FOR DECKPLATE :		99.45 in

**T O T A L V E H I C L E S U M M A R Y**

<b>Weight Summary</b>			
	Weight Front	Weight Rear	Total Weight
Factory Weight <sup>+</sup>	7973 lbs	4298 lbs	12271 lbs
Dealer Installed Options	0 lbs	0 lbs	0 lbs
<b>Total Weight<sup>+</sup></b>	<b>7973 lbs</b>	<b>4298 lbs</b>	<b>12271 lbs</b>

<b>Dealer Installed Options</b>			
	Weight Front	Weight Rear	
HENDERSON TRUCK EQUIPMENT QUOTE 139817 DATED 9-15-20	0	0	
<b>Total Dealer Installed Options</b>	<b>0 lbs</b>	<b>0 lbs</b>	

(+) Weights shown are estimates only.  
 If weight is critical, contact Customer Application Engineering.

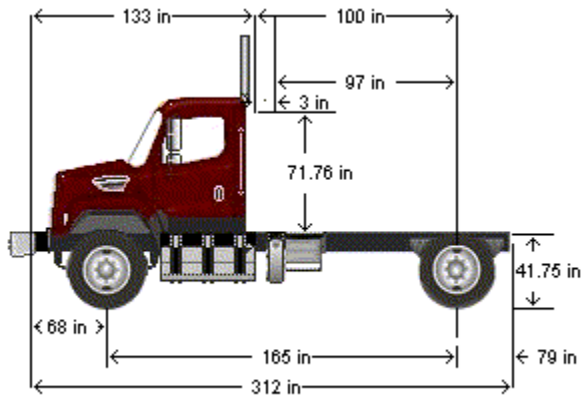
(\*\*\*) All cost increases for major components (Engines, Transmissions, Axles, Front and Rear Tires) and government mandated requirements, tariffs, and raw material surcharges will be passed through and added to factory invoices.



Prepared for:  
 Village of Roselle  
 474 Congress Circle North  
 Roselle, IL 60172  
 Phone: 630-671-2373

Prepared by:  
 Duane Schaefer  
 TRANSSHICAGO TRUCK  
 GROUP  
 776 N. YORK ROAD  
 ELMHURST, IL 60126  
 Mobile:  
 E-Mail:  
 duaneschaefer@transchicago.com

## D I M E N S I O N S



### VEHICLE SPECIFICATIONS SUMMARY - DIMENSIONS

Wheelbase (545) .....	4200MM (165 INCH) WHEELBASE
Rear Frame Overhang (552) .....	2000MM (79 INCH) REAR FRAME OVERHANG
Fifth Wheel (578) .....	NO FIFTH WHEEL
Mounting Location (577) .....	NO FIFTH WHEEL LOCATION
Maximum Forward Position (in) .....	0
Maximum Rearward Position (in) .....	0
Amount of Slide Travel (in) .....	0
Slide Increment (in) .....	0
Desired Slide Position (in) .....	0.0
Cab Size (829) .....	108 INCH BBC FLAT ROOF ALUMINUM CONVENTIONAL CAB
Sleeper (682) .....	NO SLEEPER BOX/SLEEPER CAB
Exhaust System (016) .....	RH OUTBOARD UNDER STEP MOUNTED HORIZONTAL AFTERTREATMENT SYSTEM ASSEMBLY WITH RH B-PILLAR MOUNTED VERTICAL TAILPIPE



**Prepared for:**  
 Village of Roselle  
 474 Congress Circle North  
 Roselle, IL 60172  
 Phone: 630-671-2373

**Prepared by:**  
 Duane Schaefer  
 TRANSCHICAGO TRUCK  
 GROUP  
 776 N. YORK ROAD  
 ELMHURST, IL 60126  
 Mobile:  
 E-Mail:  
 duaneschaefer@transchicago.com

**TABLE SUMMARY - DIMENSIONS**

Dimensions	Inches
Bumper to Back of Cab (BBC)	133.3
Bumper to Centerline of Front Axle (BA)	67.7
Min. Cab to Body Clearance (CB)	3.0
Back of Cab to Centerline of Rear Axle(s) (CA)	99.8
Effective Back of Cab to Centerline of Rear Axle(s) (Effective CA)	96.8
Back of Cab Protrusions (Exhaust/Intake) (CP)	0.0
Back of Cab Protrusions (Side Extenders/Trim Tab) (CP)	0.0
Back of Cab Protrusions (CNG Tank)	0.0
Back of Cab Clearance (CL)	3.0
Back of Cab to End of Frame	178.5
Cab Height (CH)	71.8
Wheelbase (WB)	165.4
Frame Overhang (OH)	78.7
Overall Frame Length	309.2
Overall Length (OAL)	311.8
Rear Axle Spacing	0.0
Unladen Frame Height at Centerline of Rear Axle	41.8

Performance calculations are estimates only. If performance calculations are critical, please contact Customer Application Engineering.



**Prepared for:**  
Village of Roselle  
474 Congress Circle North  
Roselle, IL 60172  
Phone: 630-671-2373

**Prepared by:**  
Duane Schaefer  
TRANSHICAGO TRUCK  
GROUP  
776 N. YORK ROAD  
ELMHURST, IL 60126  
Mobile:  
E-Mail:  
duaneschaefer@transchicago.com

## G V W R

### VEHICLE SPECIFICATIONS SUMMARY - GVWR

Cab Size (829)..... 108 INCH BBC FLAT ROOF ALUMINUM CONVENTIONAL CAB  
Expected Front Axle(s) Load (lbs)..... 14600.0  
Expected Pusher Axle(s) Load (lbs)..... 0.0  
Expected Rear Axle(s) Load (lbs)..... 23000.0  
Expected Tag Axle(s) Load (lbs)..... 0.0  
Expected GVW (lbs)..... 37600  
Expected GCW (lbs)..... 0.0  
Front Axle (400)..... DETROIT DA-F-16.0-5 16,000# FL1 71.0 KPI/3.74 DROP SINGLE FRONT AXLE  
Front Suspension (620)..... 16,000# FLAT LEAF FRONT SUSPENSION  
Front Hubs (418)..... CONMET PRESET PLUS PREMIUM IRON FRONT HUBS  
Front Disc Wheels (502)..... ACCURIDE 28828 22.5X8.25 10-HUB PILOT 6.18 INSET 2-HAND HD STEEL DISC FRONT WHEELS  
Front Tires (093)..... CONTINENTAL HSC1 12R22.5 16 PLY RADIAL FRONT TIRES  
Front Brakes (402)..... MERITOR 16.5X6 Q+ CAST SPIDER CAM FRONT BRAKES, DOUBLE ANCHOR, FABRICATED SHOES  
Steering Gear (536)..... TRW TAS-85 POWER STEERING  
Rear Axle (420)..... DETROIT DA-RS-23.0-4 23,000# R-SERIES SINGLE REAR AXLE  
Rear Suspension (622)..... AIRLINER 23,000# REAR SUSPENSION WITH CHAIN CLEARANCE  
Rear Hubs (450)..... CONMET PRESET PLUS PREMIUM IRON REAR HUBS  
Rear Disc Wheels (505)..... ACCURIDE 28828 22.5X8.25 10-HUB PILOT 2-HAND HD STEEL DISC REAR WHEELS  
Rear Tires (094)..... CONTINENTAL HDR2+ 11R22.5 14 PLY RADIAL REAR TIRES  
Rear Brakes (423)..... MERITOR 16.5X7 Q+ CAST SPIDER CAM REAR BRAKES, DOUBLE ANCHOR, FABRICATED SHOES  
Pusher / Tag Axle (443)..... NO PUSHER OR TAG AXLE  
Pusher / Tag Suspension (626)..... NO PUSHER OR TAG SUSPENSION  
Pusher / Tag Hubs (449)..... NO PUSHER OR TAG HUBS  
Pusher/Tag Disc Wheels (509)..... NO PUSHER/TAG DISC WHEELS  
Pusher / Tag Tires (095)..... NO PUSHER/TAG TIRES  
Pusher / Tag Brakes (456)..... NO PUSHER/TAG BRAKES



**Prepared for:**  
 Village of Roselle  
 474 Congress Circle North  
 Roselle, IL 60172  
 Phone: 630-671-2373

**Prepared by:**  
 Duane Schaefer  
 TRANSCHICAGO TRUCK  
 GROUP  
 776 N. YORK ROAD  
 ELMHURST, IL 60126  
 Mobile:  
 E-Mail:  
 duaneschaefer@transchicago.com

**TABLE SUMMARY - GVWR**

	Front	Rear
<b>Axle Component Weight Ratings</b>		
Axles	16000	23000
Suspension	16000	23000
Hubs	23000	26000
Brakes	18000	23000
Wheels	16000	32000
Tires	14780	24020
Power Steering	18000	N/A
GAWR (per axle)	14780	23000
GAWR (per axle system)	14780	23000
Expected Load (per axle system)	14600	23000
GVWR due to Frame	90000	
GVWR due to Transmission	80000	
<b>Vehicle GVWR Summary</b>		
Calculated GVWR	37780	
Expected GVWR	37600	
All weights displayed in pounds		

Performance calculations are estimates only. If performance calculations are critical, please contact Customer Application Engineering.



**Prepared for:**  
Village of Roselle  
474 Congress Circle North  
Roselle, IL 60172  
Phone: 630-671-2373

**Prepared by:**  
Duane Schaefer  
TRANSHICAGO TRUCK  
GROUP  
776 N. YORK ROAD  
ELMHURST, IL 60126  
Mobile:  
E-Mail:  
duaneschaefer@transchicago.com

## Q U O T A T I O N

### 108SD CONVENTIONAL CHASSIS

SET BACK AXLE - TRUCK	16,000# FLAT LEAF FRONT SUSPENSION
CUM L9 270 HP @ 2200 RPM; 2200 GOV RPM, 860 LB-FT @ 1200 RPM	108 INCH BBC FLAT ROOF ALUMINUM CONVENTIONAL CAB
ALLISON 3000 RDS AUTOMATIC TRANSMISSION WITH PTO PROVISION	4200MM (165 INCH) WHEELBASE
DETROIT DA-RS-23.0-4 23,000# R-SERIES SINGLE REAR AXLE	7/16X3-9/16X11-1/8 INCH STEEL FRAME (11.11MMX282.6MM/0.437X11.13 INCH) 120KSI
AIRLINER 23,000# REAR SUSPENSION WITH CHAIN CLEARANCE	2000MM (79 INCH) REAR FRAME OVERHANG
DETROIT DA-F-16.0-5 16,000# FL1 71.0 KPI/3.74 DROP SINGLE FRONT AXLE	BODY COMPANY INSTALLED ADDITIONAL FRONT FRAME REINFORCEMENT FOR SNOW PLOW

---

<b>BALANCE DUE – INCLUDES HENDERSON SNOW AND ICE EQUIPMENT</b>	<b>\$</b>	<b>180,680</b>
--	-----------	----------------

---

### ADDITIONAL TERMS AND CONDITIONS

1. ^As used in this Sales Order the terms (a) "Dealer" shall mean the authorized Dealer to whom this Sales Order is addressed and who shall become a party hereto by its acceptance hereof, (b) "Purchaser" shall mean the party executing this Sales Order as such on the face hereof, and (c) "Manufacturer" shall mean the Corporation that manufactured the vehicle or chassis, it being understood by Purchaser and Dealer that Dealer is not the agent of Manufacturer, that Dealer and Purchaser are the sole parties to this Sales Order and that reference to Manufacturer herein is for the purpose of explaining generally certain contractual relationships existing between Dealer and Manufacturer with respect to new motor vehicles.
2. ^Manufacturer has reserved the right to change the price the Dealer charges for new motor vehicles without notice. In the event the price to Dealer of a new motor vehicle of the series and body type ordered hereunder is changed by Manufacturer prior to delivery of the new motor vehicle ordered hereunder to Purchaser, Dealer reserves the right to change the cash delivered price of such motor vehicle to Purchaser accordingly.
3. ^Notwithstanding any terms and conditions contained in Purchaser's Purchase Order, Purchaser agrees that Dealer's terms and conditions set forth in this Sales Order shall be the only terms and conditions regarding any purchase by Purchaser from Dealer. Purchaser expressly waives the provisions of Purchaser's terms and conditions and agrees to be bound exclusively by Dealer's terms and conditions as set forth herein. If Purchaser is an entity, the undersigned represents and warrants to Dealer that the undersigned has authority to bind Purchaser to the terms and conditions outlined herein, and the terms and conditions as outlined herein are enforceable against Purchaser in accordance with their terms.
4. ^All used motor vehicles which are to be traded in as part of the consideration for the motor vehicle ordered hereunder are subject to Dealer's Trade Terms and Conditions which are incorporated herein by reference. Although Dealer may provide Purchaser with an initial appraisal(s) of the value of and allowance for any used motor vehicle, such initial appraisal and allowance are not binding. Each used motor vehicle shall be reappraised at that time of actual delivery to Dealer for acquisition, and such reappraisal value shall determine the actual allowance made for such motor vehicle. If such reappraised value is lower than the original appraised value and allowance therefor shown on the front of this Sales Order, Purchaser may, if dissatisfied herewith, cancel this Sales Order, provided, however, that such right to cancel must be exercised prior to the delivery of the motor vehicle ordered hereunder to the Purchaser.

Application Version 11.4.006  
Data Version PRL-23D.001  
21 JAN Plow 37K SA



01/20/2021 6:34 PM

Page 20 of 23

**Prepared for:**  
Village of Roselle  
474 Congress Circle North  
Roselle, IL 60172  
Phone: 630-671-2373

**Prepared by:**  
Duane Schaefer  
TRANSCHICAGO TRUCK  
GROUP  
776 N. YORK ROAD  
ELMHURST, IL 60126  
Mobile:  
E-Mail:  
duaneschaefer@transchicago.com

5. ^Purchaser agrees to deliver to Dealer satisfactory evidence of title to any used motor vehicle traded in as part of the consideration for the motor vehicle ordered hereunder at the time of delivery of such used motor vehicle to Dealer. Purchaser warrants any such used motor vehicle to be his or its property free and clear of all liens and encumbrances except as otherwise noted within.
6. ^Dealer shall have the right, upon failure or refusal of Purchaser to accept delivery of the motor vehicle ordered hereunder or to comply with any of the other terms of this Sales Order, to retain any cash deposit made by Purchaser without the waiver of any other right or remedy available to Dealer.
7. ^Manufacturer has reserved the right to change the design of any new motor vehicle, chassis, accessories or parts thereof at any time without notice and without obligation to make the same or any similar change upon any motor vehicle, chassis, accessories or parts thereof previously purchased by or shipped to Dealer or being manufactured or sold in accordance with Dealer's orders. Correspondingly, in the event of any such change by Manufacturer, Dealer shall have no obligation to Purchaser to make the same or any similar change in any motor vehicle, chassis, accessories or parts thereof covered by this Sales Order either before or subsequent to delivery thereof to Purchaser.
8. ^Dealer shall not be liable for failure to deliver or delay in delivering the motor vehicle covered by this Sales Order where such failure or delay is due, in whole or in part, to any cause beyond the control or without the fault or negligence of Dealer.
9. ^The price for the motor vehicle specified on the face of this Sales Order includes reimbursement for Federal Excise taxes, but does not include sales taxes, use taxes or occupational taxes based on sales volume, (Federal, State or Local) unless expressly so stated. Purchaser assumes and agrees to pay, unless prohibited by law, any such sales, use or occupational taxes imposed on or applicable to the transaction covered by this Sales Order, regardless of which party may have primary tax liability therefor.
10. ^There are no warranties, whether expressed or implied, made by the Dealer herein, or the Manufacturer, on the vehicle or chassis described on the face hereof except in the case of a new vehicle or chassis for which the warranty shall be limited to such warranty as provided for in writing on the face of this Sales Order or in a separate writing furnished to and signed by Purchaser and Dealer. The printed new vehicle warranty delivered to Purchaser with such vehicle or chassis is made a part hereof as though fully set forth herein, and it is the only warranty applicable to such new vehicle or chassis and is expressly in lieu of all other warranties, whether expressed or implied, including any implied warranty of merchantability or fitness for a particular purpose.
11. ^Any used motor vehicle sold to Purchaser by Dealer under this Sales Order is sold at the time of delivery by Dealer without any guarantee or warranty, whether expressed or implied, including without limitation, any implied warranty of merchantability or fitness for a particular purpose, as to its condition or the condition of any part thereof except as may be otherwise specifically provided in writing on the face of this Sales Order or in a separate writing furnished to and signed by Purchaser by Dealer.
12. ^The Purchaser, before or at the time of delivery of the motor vehicle covered by this Sales Order will execute such forms of agreement or documents as may be required by the terms and conditions of payment indicated on the front of this Sales Order.
13. ^In the event Purchaser desires to modify or otherwise change the equipment content of a vehicle specifically ordered for him from the Manufacturer, the change will be made only if the Manufacturer has sufficient time to accommodate the request. Moreover, any service charge or fee made by the Manufacturer as a result of such request will be borne by the purchaser.
14. ^The parties agree that they will comply with all Federal, State, and local laws and regulations, including those governing and/or restricting export of products or any technical data relating thereto outside of the United States. In carrying on Purchaser's business, each of Purchaser, its officers, directors, employees or agents (collectively and individually in this clause "Purchaser") must comply with its obligations under the law including without limitation, the following: (a) not violate any anti-bribery or anti-corruption law of any jurisdiction applicable to this Order, including those of the United States of America's Foreign Corrupt Practices Act ("FCPA"), and any similar anti-corruption or anti-bribery laws and regulations applicable to the Purchaser or related to this Order: (b) not pay, offer or promise to pay, or authorize the payment of, any monies or anything of value, directly or indirectly, to any government official or





**Prepared for:**  
Village of Roselle  
474 Congress Circle North  
Roselle, IL 60172  
Phone: 630-671-2373

**Prepared by:**  
Duane Schaefer  
TRANSCHICAGO TRUCK  
GROUP  
776 N. YORK ROAD  
ELMHURST, IL 60126  
Mobile:  
E-Mail:  
duaneschaefer@transchicago.com

employee, any official or employee of a state-run or state-owned or controlled enterprise or entity, any official or employee of a public international organization, any candidate for political or public office, any official or employee of any political party, or any family member or relative of such persons or any political party for the purpose of influencing any act or decision of any such official, employee, candidate, political party, enterprise or entity, public organization, or government to obtain or retain business, or direct business to any person or entity, or for any other improper advantage or purpose; (c) warrants that as at the date of this Order, none of its owners, officers, directors, employees or agents or any immediate family member of such persons, is presently (or has been recently) an official or employee of any government, state-run or state-owned or controlled enterprise or entity, or political party, or a candidate for political or public office. Purchaser must provide written notification to Dealer within ten (10) days of any of the above persons becoming such official, employee or candidate; (d) comply with all applicable export and import laws and regulations, including associated embargo and sanction regulations; and (e) certifies that no vehicle or chassis subject to this Order, nor any direct products thereof, will be made available or re-exported, directly or indirectly, by Purchaser (or by any employee or contractor of Purchaser) to any prohibited person, entity or country (including to nationals of any prohibited country, wherever they may be located) unless such prior written authorization as may be required is obtained by Purchaser from the appropriate U.S. government agency(ies), including, as applicable, the U.S. Office of Export Licensing of the U.S. Department of Commerce, in accordance with the U.S. Export Administration Regulations (15 CFR, Parts 779 et seq. or any similar regulation) issued by the Department of Commerce of the United States in the administration of the Export Administration Act of 1979, as amended from time to time, or any subsequently issued similar rule, law or regulation. Purchaser will designate an officer to be responsible for compliance with all such legislation and upon the request of Dealer will certify compliance with such legislation. In the event Purchaser breaches its obligations under this paragraph, or Dealer learns of or has a reasonable suspicion that Purchaser has breached this paragraph, notwithstanding any other provision hereunder to the contrary, Dealer may immediately terminate this Order and Purchaser hereby waives any and all claims against Dealer for any loss, cost or expense, including, but not limited to, loss or profits, incidental or consequential damages, that Purchaser may incur by virtue of such termination.

15.^Purchaser shall, from the execution of this Order and for a period of one (1) year after the completion of this Order maintain all records, together with such supporting or underlying documents and materials, related to the motor vehicle ordered hereunder, including but not limited to all records related to the use, the location(s) of such use, the repair and the sale, lease or other transfer of such motor vehicle or any interest therein, as well as Purchaser's compliance with the FCPA and any other applicable anti-corruption or anti-bribery laws or regulations. Purchaser shall at any time requested by Dealer whether during or after completion of this Order, with five (5) days' notice and at Purchaser's own expense make such records available for inspection and audit (including copies and extracts of records as required) by Dealer. Such records shall be made available to Dealer during normal business hours at a time and location that is convenient for Dealer.

16.^Documentary Fee. Documentary fee is not an official fee. A documentary fee is not required by law, but may be charged to buyers for handling documents and performing services related to closing of a sale. The base documentary fee beginning 1/1/20 was \$300. The maximum amount that may be charged for a documentary fee is the base documentary fee of \$300, which shall be subject to an annual rate adjustment equal to the percentage of change in the Bureau of Labor Statistics Consumer Price Index. This notice is required by law.

17. ^Purchaser shall pay on demand all of Dealer's cost and expenses, including its attorney's fees incurred in enforcing the terms of this Sales Order, including but not limited to defending any claims by Purchaser, collecting any payments due hereunder or repossessing the vehicle.

18. ^The remedies herein reserved shall be cumulative and in addition to any further remedies provided to Dealer whether at law or in equity. No delay or failure by the Dealer to exercise or enforce at any time, any right or provision in this Sales Order, will be considered a waiver thereof or of Dealer's right thereafter to exercise or enforce each and every right and provision of this Sales Order. To be valid, any waiver shall be in writing, but need not be supported by consideration. No single waiver shall constitute a continuing or subsequent waiver.

**Prepared for:**  
Village of Roselle  
474 Congress Circle North  
Roselle, IL 60172  
Phone: 630-671-2373

**Prepared by:**  
Duane Schaefer  
TRANSHICAGO TRUCK  
GROUP  
776 N. YORK ROAD  
ELMHURST, IL 60126  
Mobile:  
E-Mail:  
duaneschaefer@transchicago.com

19. ^This Sales Order has been negotiated, executed and delivered in Illinois, and shall be construed and enforced in accordance with the laws of the State of Illinois, without reference to the choice of law or conflicts of law principles of any other state.

20. ^Purchaser hereby consents to the exclusive jurisdiction of any state or federal court located in DuPage County, Illinois regarding any disputes regarding this matter. Purchaser waives any trial by jury and waives any objection based on improper venue or forum non conveniens in any action or proceeding to which Purchaser and Dealer may be parties arising out of, or in connection with, or in any way pertaining to this Sales Order. It is agreed and understood by Purchaser that this waiver constitutes a waiver of trial by jury of all claims by Purchaser against the Dealer. This waiver is knowingly, willingly and voluntarily made by Purchaser and Purchaser hereby represents that no representations of fact or opinion have been made by any individual to induce this waiver of trial by jury or to, in any way, modify or nullify its effect. Purchaser further represents and warrants that it either has been represented in the signing of this Sales Order and the making of this Sales Order by the attorney of its choosing , or it has had time to seek independent counsel selected of Purchaser's own free will, and to discuss the terms and conditions of this Sales Order with such counsel.

21. ^In the event that any provision of this Sales Order shall be deemed to be invalid by reason of the operation of any law or by reason of the interpretation placed on this Sales Order by any court, this Sales Order shall be construed as not containing such provision to the extent of the invalidity and the invalidity of such provision shall not affect the validity of any and all provisions hereby which are otherwise lawful and valid, and such other provisions shall remain in full force and effect.

22.^All notices and other communications required hereunder shall be in writing and delivered by personal delivery, overnight delivery service, or certified or registered mail, postage prepaid, return receipt requested. Any such notice shall be deemed to have been given on the date it is received during regular office hours at the address listed on the applicable order or at such other address as the affected party may have previously designated for notices.

23.^To the full extent permitted by laws, Purchaser waives all rights against Dealer for any damage to its property or that of third parties, or for injury to any person, however caused. In no event shall Dealer's total liability exceed Dealer's anticipated net profit on the specified purchase price of the vehicles covered by this Sales Order.

24. ^This Sales Order constitutes the entire agreement between the parties hereto relating to the subject matter hereof and supersedes all prior oral and written and all contemporaneously oral negotiations, commitments and understandings of the parties, except as otherwise expressly set forth in this Sales Order. This Sales Order may not be changed or amended except by writing and executed by both Purchaser and Dealer.

IN WITNESS WHEREOF, the Purchaser has executed these terms and conditions as of the date herein written below.

V2020.1

**APPROVAL:**

Please indicate your acceptance of this quotation by signing below:

Customer: X \_\_\_\_\_ Title: X \_\_\_\_\_ Date: \_\_\_ / \_\_\_ / \_\_\_





# HENDERSON

PRODUCTS, INC.

11921 SMITH DRIVE  
HUNTLEY, IL 60142  
PHONE: 847-836-4996  
FAX: 563-927-7108

## CUSTOMER QUOTE

Page 1  
Quote #139817  
Rev #7

To: TRANSCHICAGO TRUCK GROUP  
Attn: Duana Schaefer  
Quote Date: 1/18/2021  
Valid Until: 2/17/2021  
Sourcewell Contract# 080818-HPI  
Sourcewell #: 155160  
Quoted:  
Roselle Single Axle 2020

Quoted By: Chris Fack  
Phone: 847-836-4996  
Cell: 847-754-5035  
Fax: 563-927-7108  
Email: cfack@hendersonproducts.com

Henderson Products is pleased to present the following quote. Please contact us if you have any questions.

### MARKE SA Dump Body

BODY LENGTH: **10ft BODY LENGTH**  
SIDE STYLE: **STRAIGHT SIDES**  
SIDE HEIGHT (FROM FLOOR): **30" SIDE HEIGHT**  
REAR BODY PROFILE: **STANDARD STRAIGHT VERTICAL GATE**  
REAR CORNER POSTS: **REAR BOLSTERS 8" ABOVE SIDES**  
BOARD POCKETS: **2" WIDE BOARD POCKETS**  
HOIST TYPE: **TRN MOUNT TELE HOIST W/ SUBFRM, INTERNAL DOGHOUSE**  
HOIST CYLINDER/MODEL: **MAILHOT CS-SERIES, DOUBLE ACTING, CS90-4.5-3DA**  
HYDRAULIC PUMP: **NO FACTORY SUPPLIED HYDRAULIC PUMP**  
CYLINDER CRADLE STYLE: **STANDARD HOIST CRADLE**  
INSTALL SUBFRAME AND/OR CYLINDER: **SHIP LOOSE - DEALER TO INSTALL**  
EXTRA BODY PROP: **NO EXTRA BODY PROP**  
HYDRAULIC RESERVOIR: **RESERVOIR SUPPLIED WITH HYDRAULICS PACKAGE**  
FLOOR MATERIAL: **3/16" AR400 FLOOR**  
FLOOR TO SIDE RADIUS: **5" RADIUS FLOOR TO SIDE**  
LONGSILL MATERIAL: **5" I-BEAM LONGSILLS (STANDARD SKIP WELD)**  
SIDES/HEADSHEET MATERIAL: **10GA 201SS SIDES/HEAD**  
SIDE BRACING TYPE: **DOUBLE V-CRIMP INTERMEDIATE SIDE BRACES**  
SIDE BRACE MATERIAL: **DOUBLE V-CRIMP SIDE BRACE**  
TOP RAIL STYLE: **FLAT (2" FLAT, THEN SLOPED)**  
CONTOURED FRONT CORNER POSTS: **NO FRONT CORNER POSTS**  
REAR CORNER POST MATERIAL: **7GA 201SS REAR CORNER POSTS**  
TAILGATE STYLE: **STANDARD TAILGATE**  
TAILGATE SHEET MATERIAL: **10GA 201SS TAILGATE SHEET**  
TAILGATE BRACING: **SINGLE HORIZONTAL TAILGATE BRACE**  
TAILGATE BRACE MATERIAL: **10GA 201SS TAILGATE BRACING**  
TAILGATE TOP PIVOT HARDWARE: **1-1/4" PINS, 1" PLATES, NON-GREASABLE**  
TAILGATE LATCH TYPE: **AIR PANCAKE TAILGATE RELEASE, GREASABLE SS BUSHINGS**  
TAILGATE RELEASE VALVE: **NO TAILGATE RELEASE VALVE**  
TAILGATE PIN LANYARDS: **NO TAILGATE PIVOT PIN LANYARDS**  
TAILGATE LIFT LOOP: **NO TAILGATE LIFT LOOP OR DRING**  
LATCH JAWS: **LOWER TG LATCH JAWS, GREASABLE**  
COAL CHUTE: **COAL CHUTE**  
COAL CHUTE TYPE: **WIDE 18" COAL CHUTE (201SS)**  
COAL CHUTE QUANTITY: **SINGLE COAL CHUTE**





# HENDERSON

PRODUCTS, INC.

11921 SMITH DRIVE  
HUNTLEY, IL 60142  
PHONE: 847-836-4996  
FAX: 563-927-7108

## CUSTOMER QUOTE

Page 2  
Quote #139817  
Rev #7

COAL CHUTE INSTALLED: COAL CHUTE INSTALLED

COAL CHUTE LOCATION: CENTER

REAR FACE LIGHT HOLES: (2) OBOURND LIGHT HOLES, EA BOLSTER REAR FACE

REAR SIDE MARKER LIGHT HOLE: STD 2.5" SIDE MARKER LIGHT HOLES

EXTERIOR LIGHT BOXES INSTALLED: NO EXTERIOR LIGHT BOXES

LIGHTING PACKAGE: NO OEM LIGHTING PACKAGE

BODY HINGE CONSTRUCTION: STD SUBFRAME INTEGRAL HINGE

BODY HINGE TYPE: GREASABLE HINGE BLOCKS

BODY HINGE PAINT: YES, REAR HINGE PAINTED @ FACTORY

PAINT PREPARATION: SS WASH-NATURAL FINISH, PRIME MILD PARTS (201/304SS BODY)

CABSHIELD STYLE: NO CABSHIELD

ASPHALT LIP: NO ASPHALT LIP

WALK RAILS: WALK RAIL INSTALLED ON LOWER RUBRAILS

WALKRAIL MATERIAL: STAINLESS STEEL WALKRAIL MATERIAL

WALK RAIL TYPE: 1-1/2" GRIP STRUT (304SS)

TARP RAILS: NO TARP RAILS

SIDE LADDERS: (YES) SIDE LADDER - Pick From List Below

SIDE LADDER MATERIAL: STAINLESS STEEL LADDER CONSTRUCTION - Pick From List Below

DRIVER'S SIDE FRONT LADDER: 3 STEP PULL OUT LADDER (201SS)

INSTALL DRIVER SIDE FRONT LADDER: YES, INSTALL DRIVERS SIDE FRONT LADDER

DRIVER'S SIDE REAR LADDER: NO DRIVERS SIDE REAR LADDER

CURBSIDE FRONT LADDER: NO CURBSIDE FRONT LADDER

CURBSIDE REAR LADDER: NO CURB SIDE REAR LADDER

STEP(S): 1-1/2" GRIP STRUT STEP(S) (304SS)

DRIVERS SIDE FRONT STEP(S): ONE STEP OUTSIDE BODY

DRIVER SIDE REAR STEP(S): NO DRIVERS SIDE REAR STEP(S) INSTALLED

CURBSIDE FRONT STEP(S): NO CURBSIDE FRONT STEP(S) INSTALLED

CURBSIDE REAR STEP(S): NO CURBSIDE REAR STEP(S) INSTALLED

STEP QUANTITY, SHIPPED LOOSE: NO STEPS SHIPPED LOOSE

GRAB HANDLES: GRAB HANDLE, DRIVERS SIDE FRONT

SIDEBOARDS: YES, SLOPED SIDEBOARDS

Show Options: Show Options

SIDEBOARD SIDE MATERIAL: 10GA 201SS SIDEBOARD SIDE MATERIAL

SIDEBOARD TOPRAIL MATERIAL: 10GA 201SS SIDEBOARD TOP RAIL

SIDEBOARD TOP RAIL PROFILE: SIDEBOARD TOP RAIL PROFILE SLOPED

SIDEBOARD INSTALLATION: SIDEBOARDS INSTALLED AT FACTORY, STITCH WELDED

RUBBER MOUNTING PADS: NO RUBBER MOUNTING PADS

VIBRATOR MOUNTING PAD: NO VIBRATOR MOUNTING PAD

REAR APRON FILLER PLATE (FOR TGS SANDER): NO REAR APRON FILL PLATE

INSTALL TGS SPREADER: NO TGS INSTALL

HEATED BODY: NO HEATED BODY OPTION

CRADLE MOUNT TOOLBOX: NO TRIANGULAR CRDL MOUNT TOOLBOX (SLOPED HEAD P2P ONLY)

TOOLBOX (BODY INTEGRAL): NO INTEGRAL BODY TOOLBOX

Option 1 Description: 139313.201 Cabshield 22x86 w/ts 4 rear whelen

Option 2 Description: Side boards to be bolted into pockets

TGS salt / sand spreader





# HENDERSON

PRODUCTS, INC.

11921 SMITH DRIVE  
HUNTLEY, IL 60142  
PHONE: 847-836-4996  
FAX: 563-927-7108

## CUSTOMER QUOTE

Page 3  
Quote #139817  
Rev #7

TROUGH MATERIAL: 201SS

AUGER SIZE AND TYPE: 6" dia. auger, direct drive

MOUNTING BRACKETS: Std brackets for 96" wide bodies

MOTOR W/ SPEED SENSOR: Motor w/integral speed sensor

Option 1 Description: Slurry Tube Installed in Auger Trough

### PWS liquid pre-wetting system

Power Source: Hydrualic Powered Pump

Application: Munibody

Product Size: Munibody 9ft RDO

Control Box: No Valve, Hydraulic Powered Pump and Flow Meter

Pump: Standard 4.1 GPM Bronze Gear Pump

Console: None-Deduct PWSH-I Console

Tank Size: No Tank(s)-Deduct MUNI 75 gal tank

Spray Assembly: No Nozzles

Mounting Hardware: No Mounting Hardware or N/A

### Reversible snow plow

Plow Length: 10' length

Moldboard Trip: Adjustable cutting edge trip - torsion spring

Pushframe Type: Heavy Duty Outboard Cylinders Type

Moldboard Height: 42" height

Moldboard Shield: "J" Style moldboard shield

Moldboard Sheet Material: 3/8" polymer ILO steel

Adjustable Trip Spring: Adjustable cutting edge trip springs

Hydraulic Cylinders: 3" x 16" single acting nitrided reversing cylinders

Paint: Orange Poly Moldboard, all other gloss black

12" Rubber Deflector: Yes, w/ SS Backer

Install Rubber Deflector: Yes

36" Plastic Side Markers, Pair: Yes

Parking Jack, Screw Adjustable: Yes

Install Parking Jack: Yes

Cutting Edge: Std 5/8" x 8" One Piece AASHTO punch

Hitch, Plow Portion: Quick Link hitch

Plow Portion Installed on Plow: Yes

Hitch, Truck Portion: See HPH or HCH for Truck portion hitch

Custom Option Fields: Note Custom Details Below

Option 1 Description:

Option 2 Description: Quick Link Plow portion w/ hardened pins pn 150586

Option 3 Description:

Option 4 Description:

Option 5 Description:

Option 6 Description:

### Installation Workup





# HENDERSON

PRODUCTS, INC.

11921 SMITH DRIVE  
HUNTLEY, IL 60142  
PHONE: 847-836-4996  
FAX: 563-927-7108

## CUSTOMER QUOTE

Page 4  
Quote #139817  
Rev #7

Facility: **IDC-IL**

Chassis Delivery To Henderson: **Truck Dealer/Customer Delivers**

Completed Truck Delivery Method: **Henderson Delivers (100 miles or less)**

Non-Henderson Equipment: **Yes (SELECT OPTIONS BELOW)**

Chassis Make: **Freightliner**

Chassis Model Yr: **2020**

Chassis Model: **108sd**

Useable CA/CT: **102**

Front Axle Rating: **16000**

Rear Axle Rating: **21000**

Front Frame Ext?: **Yes**

Frnt Frame Ext Type: **Full**

Front Frame Wall: **Single Wall**

Front Frame Width: **34"**

Pump Location: **Transmission Mount Pump**

Transmission Type: **Automatic**

Transmission Model: **Allison Transmission**

Set Back Axle: **Yes**

Hitch Type: **Low Profile or Manual Tilt Type Hitch**

Mount Type: **Cheek Plate Mount Kit (Select type below)**

Mount Kit Model (Req'd): **Low Pro/MT Ck Plt Kit (No Wng, 34"w Full Frame)**

Front Bumper: **OEM Bumper Cut and Split**

Hitch Options 1: **Flink Plow Hitch**

Front Plow Type: **Standard Henderson Plow**

Plow Markers (Front Plow): **IDC Install of fact supplied markers, sales to order w/ unit**

Rubber Deflector Install: **Supplied/Installed @ Factory, sales to order w/ unit**

Plow Jack Install: **Supl'd/Instl'd on plow @ Factory, Sales order with unit**

Scraper Type: **Fixed Angle Underbody Scraper Installation**

Scraper Step(s): **Factory supplied and installed (Sales to order with unit)**

Scraper Options 1: **Install Root scraper**

Dump Body Type: **Mark E Single Axle**

Floor Length: **(10') Floor length**

Hoist Type: **Tele Trun HoIst with Subframe, Internal Doghouse**

Cylinder Type: **Double Acting**

Body Material (Sides/ends): **Stainless Steel Type Body Material**

Tailgate Release Type: **IDC supplied Electric over air valve**

Pressure Protection Valve: **Direct to air tank valve (All chassis except Int & Mack)**

Cabshield Install: **Supl'd by fact, welded to body @ IDC, sales to order w/ unit**

Step(s): **Supplied/Installed @ Factory (sales to order w/ unit)**

Grab Handle(s): **Supplied/Installed @ factory (sales to order with unit)**

Ladder(s): **Supplied/Installed @ Factory (sales to order w/ unit)**

Shovel Holder: **(1) IDC Supl'd Spring Loaded SS Shovel Holder w/ SS brckt**





# HENDERSON

PRODUCTS, INC.

11921 SMITH DRIVE  
HUNTLEY, IL 60142  
PHONE: 847-836-4996  
FAX: 563-927-7108

## CUSTOMER QUOTE

Page 5  
Quote #139817  
Rev #7

Shovel Holder Loc (1): **Driver side body**  
Sideboards: **Supplied/Installed @ Factory (sales to order w/ unit)**  
Tarp Brand: **US Tarp (order 86" c/s if using integral shield)**  
Tarp System: **Electric Tarp, Bullet Proof Arms, w/o Wind Deflector**  
Tarp Material: **Black Vinyl (Asphalt rated)**  
Tarp Length: **13' Body Length or Shorter (BV, US)**

### Body Spec Notes:

Spreader Type: **TGS**  
TGS Drive Type: **Hydraulic Drive**  
TGS Spinner Configuration: **Single Spinner Install**  
TGS Body Type: **Standard straight gate body install**  
TGS mounting type: **STD TGS brackets (supplied with unit)**  
TGS Spill Shield Mod: **Modify Inside Spill Shields (Coal chute or tub bodies)**  
HYD QD Mount Brackets: **Stainless Steel QD Mount in front of dump body bolster**  
Spreader Options 1: **Install clear plastic hanging shield**  
Spreader Options 2: **p/n 164736**

Prewet/Liquid System: **Frame Mount Prewet System**  
Configuration: **IDC Supplied (sales to quote from vendor)**  
Vendor Supplied Kit: **Tank included in hydraulics quote**  
Install Location: **Cradle Mount (verify fit or CA/CT if Req'd)**  
Drive Configuration: **Hydraulic Drive, Henderson Supplied (Sales to order w/unit)**  
Controls: **Supplied by IDC (sales to order w/ hyd cntrls)**  
Feedback Sensor: **Yes (Sales to order w/unit)**  
Slurry Tube: **Factory Supplied/Installed (sales to order w/unit)**  
Liquid Options 1: **2-1/2 gallon flush tank - pn: 161566 (1), 165484.201 (1)**  
Liquid Options 2: **install petcock valve w/ hole in pump**

### Liquid Details:

Chassis Accessories: **Yes (SELECT RELATED OPTIONS BELOW)**  
Mudflaps (Rear): **Swinging w/Logo**  
Mudflap Type (Rear): **36" Swinging, SS (with LOGO)**  
Pintle Plate: **Yes (select from options below)**  
Pintle Plate Configuration: **3/4" Plate, PH20 Holes, SA w/ SubFrm (3LTC)**  
Pintle Plate D-Rings: **Qty (2) 5/8" D-rings**  
Pintle Hook: **20 Ton**  
Trailer Plug (1): **7 Pin Trailer Plug, Truck end 7-Way RV, new style (municipal)**  
Truck Wash: **Complete Truck Wash/Clean/Vac 1**  
Warranty: **Standard 1 Year Warranty**  
Inspection: **Walk-around meeting only**  
Reflective Tape: **Reflective Tape, Henderson Logo (60' Linear)**  
Install Touch-up: **Basic Installation Touch-Up**  
Chassis Install Options 1: **Body mounted stone shields 24x30 PN: 154027.201 (2)**





# HENDERSON

PRODUCTS, INC.

11921 SMITH DRIVE  
HUNTLEY, IL 60142  
PHONE: 847-836-4996  
FAX: 563-927-7108

## CUSTOMER QUOTE

Page 6  
Quote #139817  
Rev #7

Electrical: **Yes (SELECT RELATED OPTIONS BELOW)**

Power Distribution Panel: **Power Distribution Panel**

Misc Electrical Supplies: **Req'd Misc Elect Supplies**

Plow Lights: **Plow Lts, ABL, Heated**

Plow Light Brackets: **Plow Lt Brckts, SS, FRTLNR/Western Star/Other, Pair**

Worklight(s) QTY: **(QTY 3) Work Lights (Select type below)**

Worklight (1) Type: **LED, Worklight, 4in Round (Optilux)**

Worklight (1) Gen Location: **Scraper**

Worklight (2) Type: **LED, Worklight, 4in Round (Optilux)**

Worklight (2) Gen Location: **On rear of body**

Worklight (3) Type: **LED, Worklight, 4in Round (Optilux)**

Worklight (3) Gen Location: **On rear of body**

Rear Dump Bolster (S/T/T): **LED S/T/T, kit (West) (order holes)**

Rear Dump Bolster (Back-up): **B/U Lights, LED, Clear, Oval, pair (Order holes with body)**

Back up alarm: **Backup Alarm, 97db**

Junction Box/Backup Alarm Bracket: **Backup Alarm Bracket Installed**

Body up switch/light: **Body UP Switch/Body Up Light (Trucklite)**

Brake controller: **Brake Controller, Voyager Brake Controller**

License Plate Lights: **IDC Supplied License Plate Light Gray Housing**

Backbone & Wire Standoffs: **10' Backbone (For SA)**

Camera: **RVS**

Camera Kit: **Camera Sys, 7" LED Scrn, 1 Camera**

IDC Light Package: **72" Justice (ILDOT) w/2 wk lites, Std Risers**

### Electrical Spec Notes:

Hydraulics: **Full Hydraulic Package**

Hyd Supplier: **Certified (Select Pkg Below)**

Hyd Supplier (Spec): **Certified Power Quote # 11017629**

Controls Type: **Electric Controls**

PTO Type: **Included in Hydraulics Package**

Reservoir Type: **Supplied With Hydraulics**

Valve Enclosure Type: **Supplied With Hydraulics**

Low Oil Shut Down: **Yes, included in Hyd Pkg**

High Temp Oil Shut Down: **Yes, included in Hyd Pkg**

Low Oil Indicator: **Yes, included in Hyd Pkg**

SS Tubing Upgrade: **SA, F&R lines, 6' Frnt, 9' Rr**

Quick Coupler Upgrade: **Stainless Steel Quick Couplers**

Front Plow Lift Q-Coup Upg: **Not Required**

Front Plow Rev Q-Coup Upg: **(2PR) Frnt Plow Rev Q-Coupler**

Wing Toe Q-Coup Upg: **Not Required**

Wing Heel Q-Coup Upg: **Not Required**

Spinner Q-Coup Upg: **(2PR) Spinner Q-Coupler (1S)**

Auger Q-Coupler Upg: **(2PR) Auger Q-Coupler**

Prewet Q-Coupler Upg: **Not Required**

Anti-Ice Coupler Upg: **Not Required**

Hyd Options 1: **162509 pressure relief/crossover valve**







# HENDERSON

PRODUCTS, INC.

11921 SMITH DRIVE  
HUNTLEY, IL 60142  
PHONE: 847-836-4996  
FAX: 563-927-7108

## CUSTOMER QUOTE

Page 7  
Quote #139817  
Rev #7

Hyd Options 2: 165275 (1), 162374 (1), 164400(1), HTE51 (1), 150470.201 (1)  
Hyd Options 3: 139023.201 (1), 162146 (1), 162184 (1), 150469.201 (1)  
Hyd Options 4: 164567.201 (1), 160397 (2)

### Hydraulics Notes:

Quantity of Non-Henderson Equip: **Quantity 2**

Equipment Type 1: **Other**

Equipment 1 quote number: **Root F-5 Scraper 10ft. UBS PN: 164759**

### Equipment 1 spec:

Equipment Type 2: **Other**

Equipment 2 quote number: **Flink Quick Link Snowplow hitch PN: 165932**

### Equipment 2 spec:

Total configured price: \$103,871.00  
Sourcewell package discount: 10% plus freight  
Discounted single package price: \$97,988.00  
Package(s) : 1  
Total: \$97,988.00

Signed: \_\_\_\_\_

Date: \_\_\_\_\_

Quote notes:

